

Engine Specifications & Capacities

Engine Manufacture	Kawasaki	
Mower Models	ZSR54, ZSR60	ZSR54, ZSR60
Horsepower	23	23.5
Engine Model Type	FS691V	FX730V
Max Torque @ 2400 rpms	40.9 ft. lbs (55.4 N.m)	42.1 ft. lbs. (57.1 N.m)
Charging System	12-volt, 15 amps	
Starter	12-volt Electric Starter	
Ignition	Keyed 12 volt electronic system	
Governor	Mechanical	
Fuel Type	Unleaded gasoline with octane rating of 87 or higher	
Oil Cooling	without	
Engine Cooling	Forced air cooled, Fly-wheel fan	
Engine Type	4-stroke OHV, V-twin cylinder, gasoline	
Number of Cylinders	2	
Displacement	44.3 cu. in. (726cc)	44.3 cu. in. (726cc)
Compression Ratio	8.2:1	8.2:1
Spark Plug No.	BPR4ES (NGK)	
Oil Capacity with Filter Change	2 US quarts (1.9L)	
Oil Type	SAE 10W-30	
Oil Filter Part No.	831-073C	
Fuel Filter Part No.	831-031C	
Air Filter Part No	831-074C	Outer 831-075C Inner 831-076C

Hydrostatic Transaxle Specifications & Capacities

Mower Model No	ZSR54 & ZSR60
Transaxle Model Nos.	ZT-3100™
Gear Type	Cut Steel Gears
Number of Wheel Lugs	5
Traction Drive Type	Dual Hydrostatic Transmission
Hydraulic Motor/Pumps	Two variable displacement, axial piston type.
Hydraulic Motor/Pump Drive	V-belt drive from engine crankshaft
Hydraulic Oil Type	SAE 20W-50 engine oil
Hydraulic Oil Capacity - Per Side	Total = 78 to 80 fl. oz. to fill transaxle and expansion tank to cold fill line (75.7 fl. oz. to fill transaxle to top port plug + 4.3 fl.oz. to cold fill line in expansion tank)
Hydraulic Oil Filter No.	831-060C

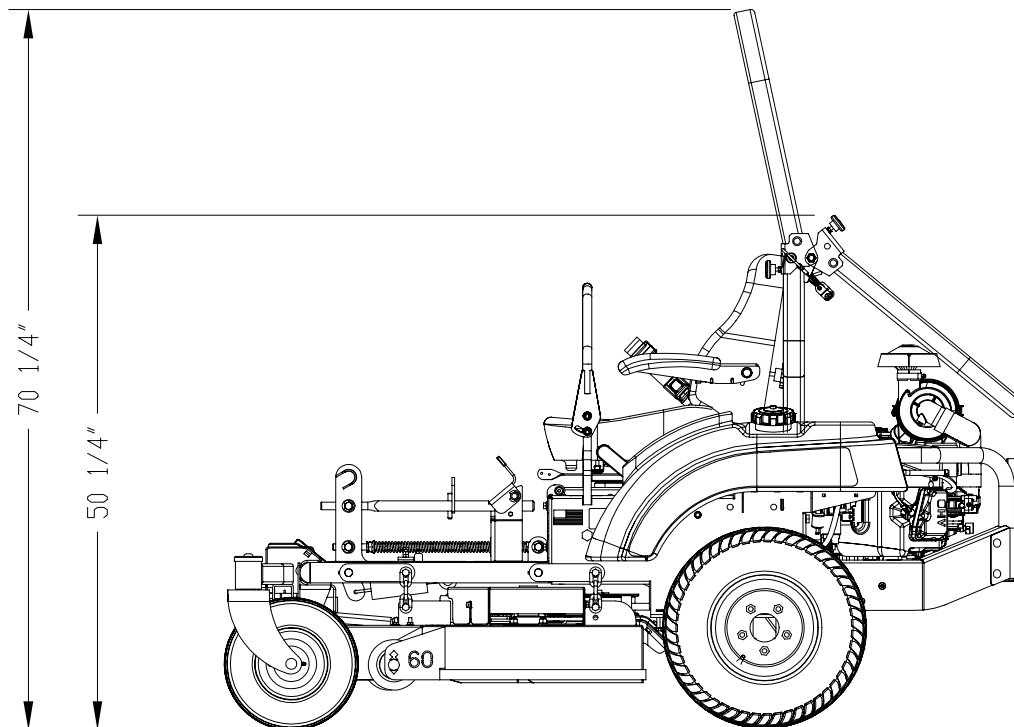
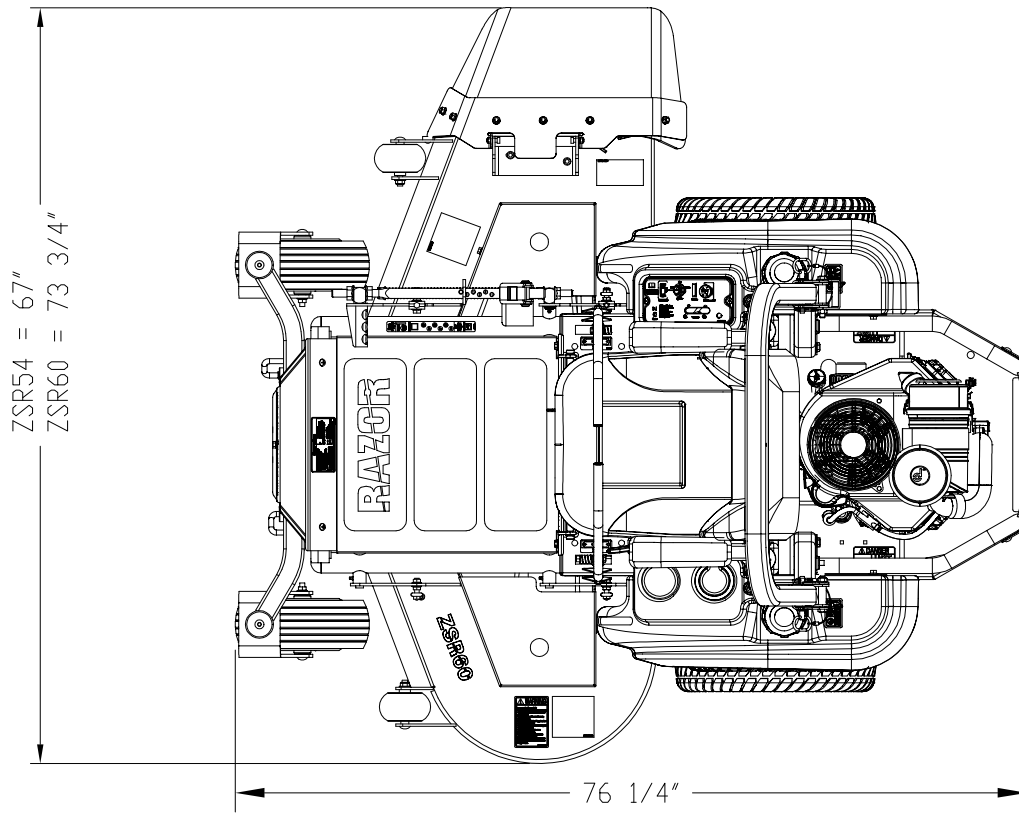
General Specifications & Capacities

Mower Model No	ZSR54	ZSR60
Weight with deluxe seat	890 lbs	915 lbs.
Width of Cut	54"	60"
Cutting Height	1 1/2" to 4 1/2" In 1/4" increments	
Trim Capacity (left side)	3"	6"
Overall width Chute down	67 1/4"	73 3/4"
Overall Length	78 1/4" with hitch plate	

Specifications to continue on next page.

General Specifications & Capacities

Mower Model No	ZSR54	ZSR60
Tire-to-tire width:	48"	
Overall Height Top of folded ROPS Top of unfolded ROPS	50 1/4" 70 1/4"	
Certified ROPS	Standard	
Drive Tires	5-bolt, 20 x 10 -10 Turf Tread	
Front Tires	13 x 5 - 6, Ribbed tread with roller bearings	
Hour Meter	Standard equipment	
Fuel Capacities	12 US GAL	
Steering Type	Hydrostatic Twin lever steering provides independent control of each drive wheel.	
Twin Lever Steering Controls	Speed, forward, reverse, brake, and turns.	
Steering Turning Radius	True zero degree. Turns with counter-rotating independent drive wheels.	
Brake Service	Hydrostatic dynamic braking.	
Park Brake Type	Manual activated over-center lever to pawl over cog wheel.	
Ground Speed	Forward: 0-7.2 MPH Reverse: 0-4.5 MPH	
Motor Drive	Single V-belt with electric clutch and manual take-up idler pulley.	
Wheel Drive	High torque piston type planetary reduction motors	
Electrical Operated Logic-Control Safety Features	Electric logic-control system governs blade engagement, forward & reverse motion, engine starting & running, and parking brake functions.	
Evaporative Emission Control System on EPA Compliant Mowers	This equipment uses a sealed fuel system which incorporates a non-vented fuel cap. Evaporative emissions are vented to the engine where they combust during normal engine operation.	
Seat Options	Deluxe cushion seat with arm rests.	
Mainframe Construction	Welded steel	
Front Caster Wheels	Free turning with greasable roller bearings.	
Front Caster Fork Construction	5/16" steel.	
Deck Thickness	10 Gauge decks with 11 gauge doubler plate and 3/16" reinforcement plate connecting spindle housing mounts	
Box-Section Reinforced Front Edge	10 ga. thick	
Deck Trim Edges	Solid 1" x 3/8" steel bar for reinforced trim edge & doubled plated 10 Gauge front edge.	
Deck Housing Depth	5 3/16" deep, (room for high-capacity mowing)	
Deck Lift	Foot-operated deck height adjustment with locking pin for setting height.	
Hand Operated Controls	Ignition switch, throttle lever, control levers, park brake, blade engagement switch, choke knob, and Fuel Tank Selector Valve.	
Indicators	Engine warning light and hour meter for engine run time.	
Cup Holder	Two cup holders molded into the left side fuel tank. Accommodates nearly any cup size.	
Cutting Height Adjustments	Height adjustment in 1/4" increments from 1" to 5".	
Mowing Blades	3 Heavy-duty, heat-treated, high-lift steel blades	
	.25" x 2 1/2" x 18.8"	.25" x 2 1/2" x 20.9"
Blade Tip Speed	18,515 FPM	18,700 FPM
Blade Drive	Single B-Section belt drive to all three spindles. Spring loaded take-up idler pulley.	
Blade Spindles	Machined ductile iron housing, 1 3/8" diameter high carbon steel shafts and greasable ball bearings.	
Deck Suspension	Four point suspension from frame by mechanical linkage with counter balance springs.	
Anti-Scalp Rollers	4 Anti-scalp rollers to improve flotation in rolling and uneven terrain.	



2/830